

Jetflite Cargo



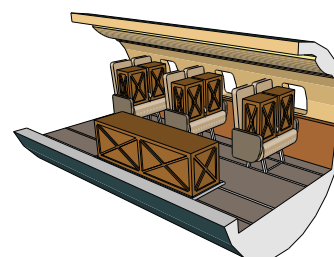
Did you know that aircraft are easily modified to carry small cargo. When timing is critical, cargo is valuable or difficult to fit with normal traffic, our Challenger 604 aircraft can take it fast, safe and secure to the destination.

When you need to move high-value items or critical spare parts, contact us. Jetflite small cargo is your efficient, safe and quick solution. We can fly to thousands of airports close to your final destination. We will take off within a couple of hours.

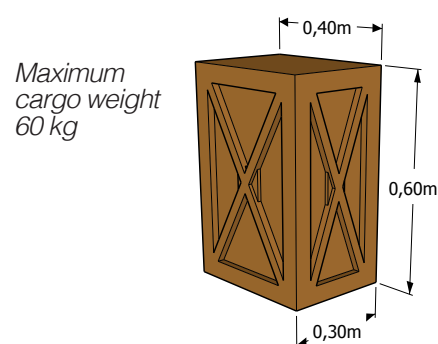
Several combinations of passenger and cargo are possible. If you need information on exact form and weight, contact our sales.

Specifications:

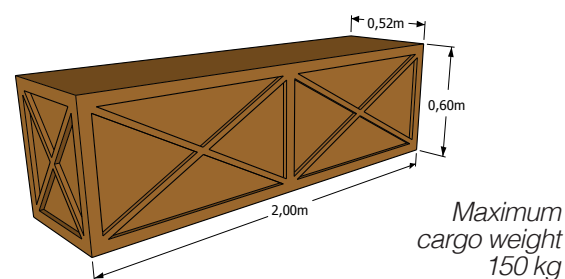
Front door size:	180x88 cm
Aircraft maximum load weight:	2 000 kg
Cargo door rounded:	width 71 cm, height 84 cm
Cargo door not rounded:	width 43 cm, height 59 cm
Cargo floor size:	214x80x115 cm
Maximum height inside the cargo space:	180 cm
Maximum weight per m ² :	366 kg
Maximum allowed load in the cargo:	245 kg



The possibilities to carry goods are



In the cabin seats max. 18 packages, size 60x40x30 cm and indicative weight limit 60 kg/package. In addition, cargo space carries 245 kg.



On the cargo stretcher in the cabin. Maximum weight limit is 150 kg and maximum container measurements 200x52x60 cm. In addition, the aircraft fits six passengers or six parcels of 60x40x30 cm and 60 kg each. In addition, cargo space carries 245 kg.